

SIP-W52P

Up to 5 VoIP accounts and 4 simultaneous calls

Cat-iq2.0, HD Voice (G.722), PoE Class 1

Expandable up to 5 DECT cordless handsets

1.8" 128x160 TFT colour display

10 hours talk time, 100 hours standby time

Range up to 50m indoors and 300m outdoors



Flexible cordless VoIP solution for small business

Yealink IP DECT SIP-W52P is a SIP Cordless Phone that's designed for small business users who are looking for immediate cost savings with scalability and efficiency.

The high-quality TFT colour display provides a clear view from all angles and the high definition speakerphone ensures clear handsfree communication. The SIP-W52P supports 4 simultaneous calls per base and offers professional features including intercom, transfer, 3-way conferencing and speed dial.

It also works with well known brand platforms including Broadsoft, Asterisk and 3CX and supports quick and easy configuration.

SIP-W52P

Phone Features

5 VoIP accounts , up to 5 handsets
 Supports 4 simultaneous calls per base station
 Call hold,Call transfer (Blind/Attend/Semi-Attend)
 Divert,Switching between calls
 3-way conference,Call waiting
 Caller ID display, Redial, Mute, DND
 Call forward (Always/Busy/No Answer)
 Speed dial, Voicemail, Silence
 Message Waiting Indication (MWI) LED
 Phonebook:500 entries, Black list
 Call history(Outgoing/Missed/Accepted)
 Phonebook search / import / export
 Keypad lock, Emergency call
 6 Ringtones
 Energy-saving ECO mode
 Screen Saver, Two colour schemes
 Multiple languages

Advanced Features

Remote phonebook
 Direct IP call without SIP proxy

IP PBX System Integration

Music on hold,Dial now,Call return
 Paging, Intercom ,Auto answer
 Anonymous call, Anonymous call rejection
 Dial Plan ,Emergency call

Management

Unified Auto provisioning template
 Auto-provision via FTP / TFTP / HTTP / HTTPS
 Auto-provision with PnP
 Configuration: browser / phone / auto-provision
 Factory configuration customized
 Trace package and system log export

Voice and Codecs Features

Full-duplex speakerphone with AEC
 Receiver volume control
 Ring tone selection
 Ringer volume
 Key sounds – click, DTMF and special tones
 Wideband codec: G.722
 Narrowband codec: G.711 μ A, G.723, G.726, G.729AB, iLBC
 VAD, CNG, AEC, PLC, AJB

Network Features

SIP v1 (RFC2543), v2 (RFC3261)
 SNTP/NTP
 VLAN(802.1Q and 802.1P)
 STUN Client (NAT Traversal)
 DTMF: In-Band, RFC2833, SIP Info
 UDP,TCP,TLS
 IP Assignment: Static/DHCP/PPPoE
 802.1x, LLDP, PPPoE
 Open VPN

Security

VLAN QoS (802.1pq)
 Transport Layer Security (TLS)
 HTTPS (server / client)
 SRTP (RFC3711)
 Digest authentication using MD5
 Secure configuration file via AES encryption
 Admin / Var / User 3-level configuration mode
 Password protection

Connectors

DECT/Cat-iq2.0
 1 x RJ45 10/100M Ethernet port
 Power over Ethernet (IEEE 802.3af)
 Headphone jack (2.5 mm)

Physical Features

1 x Handset, 1 x Base, 1 x Belt Clip, 1 x Cable, 2 x Guide
 Range: 50m indoor, 300m outdoor
 Coverage be extended using repeaters (Pending)
 10 hours talk time , 100 hours standby time
 1.8" TFT colour display: 128x160 pixels, LCD backlight, Key backlight
 12 key numerical keypad, 5 navigation keys
 2 softkeys, 2 hook keys, 1 Mute key
 1 speaker key, 1 Message key

3 LEDs on Base: 1 x power, 1 x Network, 1 x Call
 Base station: DC 5V / 600mA Output
 Charger: DC 5V / 600mA Output
 2 x Ni-MH AAA :1.2V/800mA
 Phone size: 144mm x 50mm x 24mm
 Base station size: 153mm x 108mm x 45mm
 Operating humidity: 10~95%

Certifications



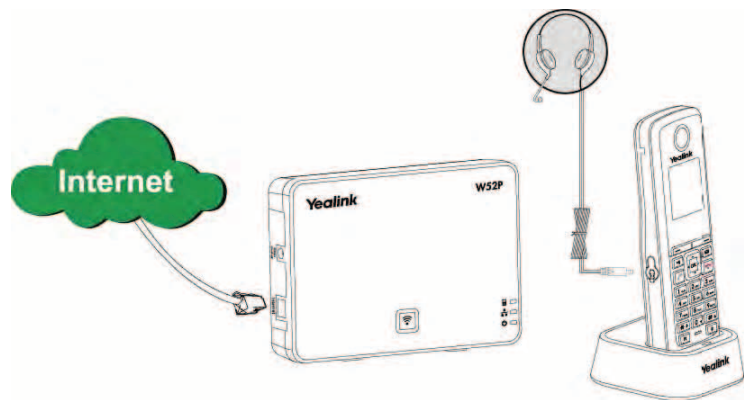
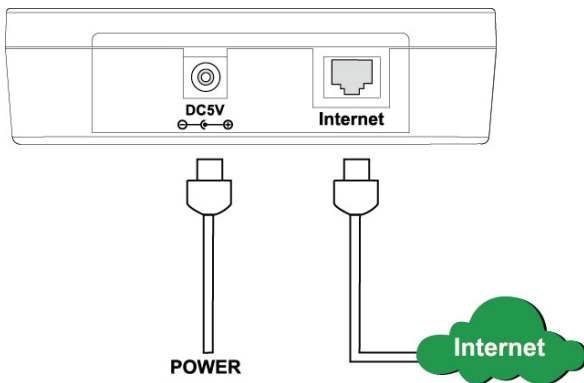
WEEE Compliant



ROHS Compliant



REACH



Yealink
 EASY VoIP